

EMPower Gas Pasta Cooker (24.5lt/6.5gal) - 16"

ITEM # _____
 MODEL # _____
 NAME # _____
 SIS # _____
 AIA # _____



169123 (ACPG25) EMPower PastaCooker,
Gas,6.5gal,42,500BTU

Short Form Specification

Item No. _____

EMPower unit to be Electrolux Gas Pasta Cooker with single high efficiency 42,500 BTU (12.5 kW) burner and single well with maximum capacity of 6.5 gal. (24.5 l). Suitable for natural gas or propane gas. Control panel with gas cock and water tap. Door to protect gas and water connections and to provide access to gas ignition and water drain valve. The tank is pressed in AISI 316 Stainless Steel to protect against corrosion. Worktop in AISI 304 Stainless Steel. Front and side panels in Stainless Steel with Scotch Brite finish. Special heavy duty chrome plated knobs for durability and easy cleaning. The configuration of bezels and knobs provides high level of protection against water infiltrations. Right-angled side edges to allow flush fitting joints between EMPower units. Supplied with 6" (150mm) height adjustable legs.

Main Features

- Single high efficiency gas 42,500 BTU (12.5 kW) burner.
- Burner with optimized combustion and protected pilot light.
- Flame failure device to protect against accidental extinguishing of the flame.
- Easy-to-use control panel with gas cock and water tap.
- Door to protect gas and water connections and to provide access to gas ignition and water drain valve.
- All major compartments located in front of unit for ease of maintenance.
- In addition to cooking pasta, the appliance can be used for noodles of every kind, rice, dumplings and vegetables.
- Water basin in AISI 316 Stainless Steel has a maximum capacity of 6.5 gal. (24.5 l) and is seamlessly welded into the top of the appliance.
- Front and side panels in Stainless Steel with Scotch Brite finish.
- Special heavy duty chrome plated knobs for durability and easy cleaning.
- The configuration of bezels and knobs provides high level of protection against water infiltrations.
- Right-angled side edges to allow flush fitting joints between units, eliminating gaps and possible dirt traps.
- Provided with kit for side-by-side connection between units for minimizing gaps and possible dirt traps.
- Supplied with 6" (150 mm) height adjustable, removable legs.
- Included Accessories: propane converter kit, pressure regulator and main shut off valve.
- In compliance with ETL Certification (UL & NSF).
- Configured for Natural Gas, LP Conversion Kit Included.

Construction

- Worktop in 304 AISI stainless steel.
- Gas pressure regulator is supplied with the unit.

Sustainability

- Insulated cooktop to conserve energy.



Included Accessories

- 1 of Support for baskets for 5.3 (20 Lt) PNC 921022 and 6.5 (25 Lt) gallon pasta cooker

Optional Accessories

- | | | |
|--|------------|--------------------------|
| • Kit connecting bases - 2 plates and 2 wheels - 1 with brake. Suitable for pasta cookers, open bases and convection oven base | PNC 169041 | <input type="checkbox"/> |
| • EMPower back mounted rear shelf-spacer, 16" unit | PNC 169097 | <input type="checkbox"/> |
| • EMPower portioning shelf 12" | PNC 169173 | <input type="checkbox"/> |
| • EMPower portioning shelf 16" | PNC 169174 | <input type="checkbox"/> |
| • Kit 4 wheels - 2 swiveling with brake | PNC 206135 | <input type="checkbox"/> |

APPROVAL: _____

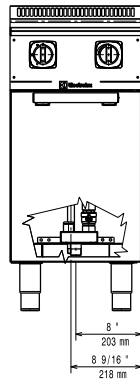


Electrolux
PROFESSIONAL

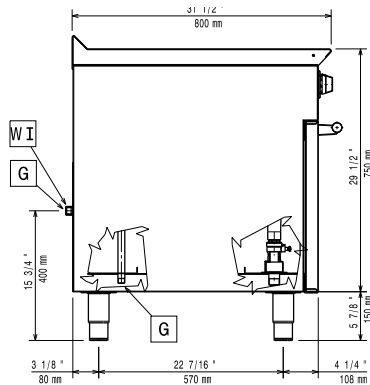
**EMPower
Gas Pasta Cooker (24.5lt/6.5gal) -
16"**

- Pair of square baskets (4" x 6") left and right for 5.3 (20 Lt) and 6.5 (25 Lt) gallon pasta cooker. 4 baskets can be fitted in pasta cooker. To be used with support PNC 921022
- Pair of square baskets (4" x 4") left and right, for 5.3 (20 Lt) and 6.5 (25 Lt) gallon pasta cooker. To be used with PNC 921022
- Support for baskets for 5.3 (20 Lt) and 6.5 (25 Lt) gallon pasta cooker PNC 921022
- Lid for 5.3 (20 Lt) and 6.5 (25 Lt) gallon pasta cooker PNC 921607
- Pair of baskets (7.5" x 8.5") for 5.3 (20 Lt) and 6.5 (25 Lt) gallon pasta cooker PNC 921610

Front



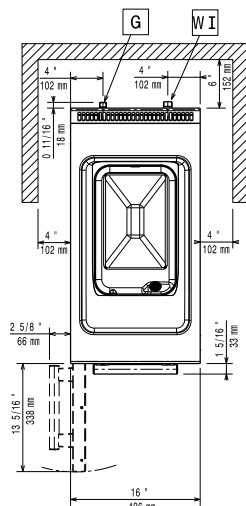
Side



CWII = Cold Water inlet

- D = Drain
- EQ = Equipotential screw
- G = Gas connection

Top


Gas
Gas Power:

169123 (ACPG25) 42500 Btu/hr (12.5 kW)

Standard gas delivery:

Natural Gas

Gas Type Option:

Propane

Gas Inlet:

1/2"

Water:

Electrolux Professional recommends the use of treated water, based on testing of specific water conditions.

Please refer to user manual for detailed water quality information.

Drain line size:

1"

Water cold/hot pipe size

3/4"

Key Information:
Net weight:

84 lbs (38 kg)

Shipping width:

18 1/8" (460 mm)

Shipping depth:

36 1/4" (920 mm)

Shipping height:

45 1/4" (1150 mm)

Shipping weight:

128 lbs (58 kg)

Shipping volume:

 17.19 ft³ (0.49 m³)

*The rear and side clearances shown on the diagram indicate the minimum distances recommended from the appliance to combustible surfaces.